



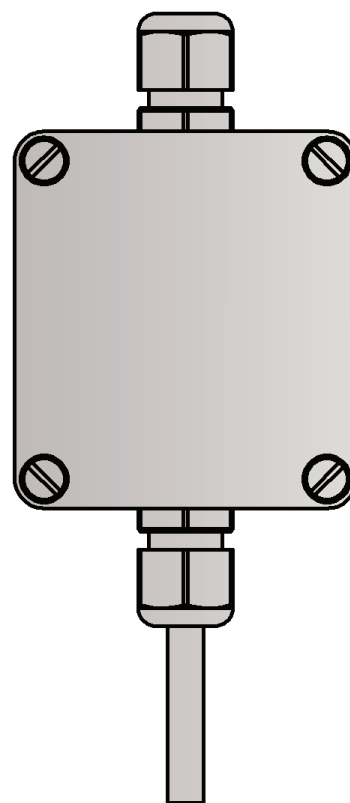
## Prostorový teploměr SenzoTEMP TOPZ-850

Temperature sensor suitable for measurement of outside temperature, both in places exposed to sun and not, mainly in air-conditioning and automation systems of district heating substations. Resistor is placed in a plastic housing. Optionally, sensor can be equipped with transmitter converting measured value to 4÷20mA current.

### Specification

<b>Temperature range / sensing element</b>		
-40÷85°C	<b>Pt100</b>	class B
<b>Sheath</b>		
– material: steel 1.4541		
– diameter [mm]: 6		
– closed-end sheath		
<b>Housing</b>		
– material: polycarbonate, IP67		

Other parameters acc. to requirements



### Options

#### Temperature transmitter application

Temperature transmitter with standard 4÷20mA, 0÷10V output signals and with the HART or PROFIBUS communication protocols can be mounted in a housing, in place of a terminal strip, or in the control cabinet.

#### Non-standard design

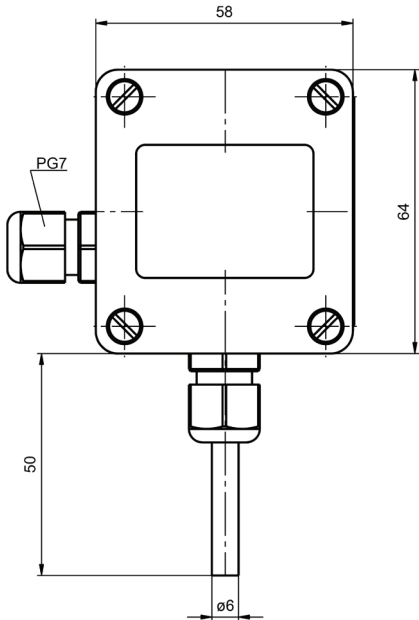
RTD parameters can be customized per client request.



**Tolerance for classes of sensors with resistors Pt acc. to PN-EN 60751**

Sensor classes	Range of application [°C]	Formula for calculating acceptable deviations [°C]
AA	0÷150	$T = \pm(0,10 + 0,0017  t )$
A	-30÷300	$T = \pm(0,15 + 0,002  t )$
B	-50÷500	$T = \pm(0,3 + 0,005  t )$

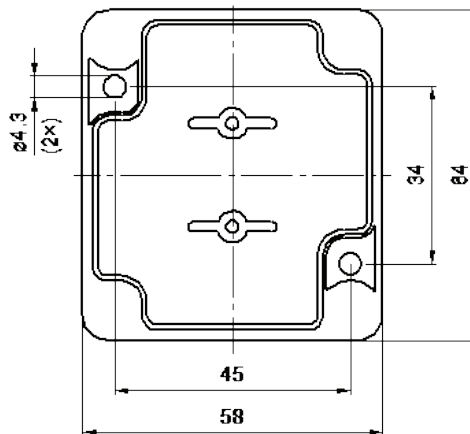
|t| - absolute value of temperature



**Measurement circuit**

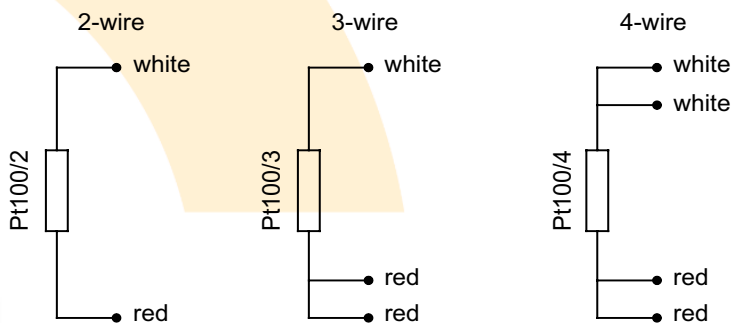
1 x Pt100			2 x Pt100			1 x TC	2 x TC
2-wire	3-wire	4-wire	2-wire	3-wire	4-wire	2-wire	2-wire
✓	✓	✓	x	x	x	✓	x

**Installation type**



**Connection schemes**

**Pt100 (thermometric resistor)**



**TC (thermocouple)**

